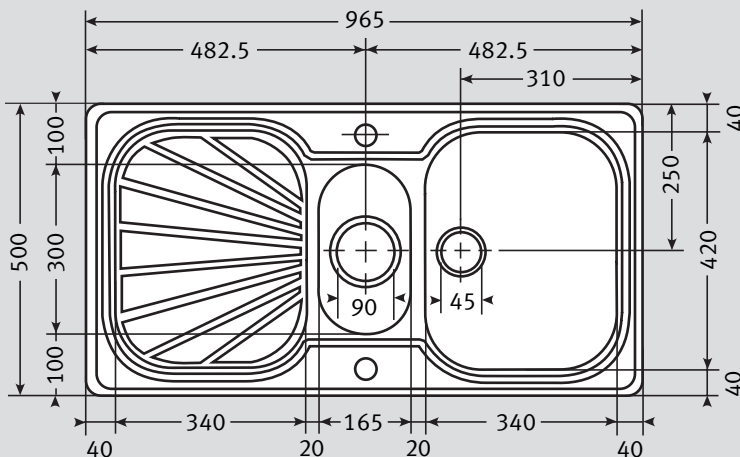
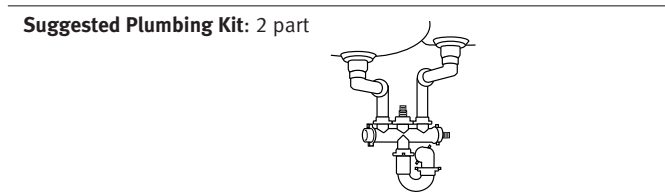
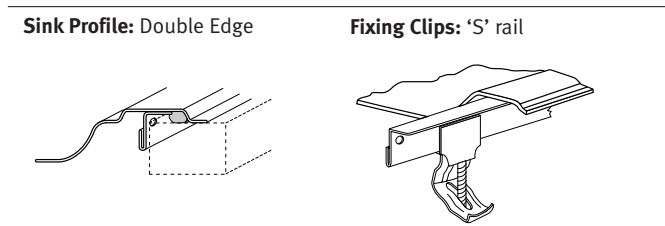
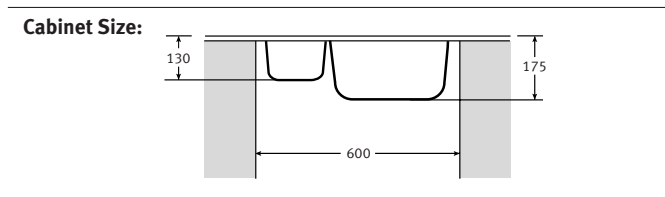


# Erica EUT 651 Specifications

- **Microdekor finish to match modern aluminium appliances**
- **Attractive alternative to brushed stainless steel**
- **Unique profile and corner radii.** Sink lies flat on worktop and cloths will not snag on corners
- **1 x 90mm Waste with Basket Strainer Waste.** Capable of adaptation to take Waste Disposal Unit
- **Bespoke accessories**
- **Symmetrical design**



<b>Material:</b>	Stainless Steel
<b>Application:</b>	Inset or undermounted
<b>Bowl Size:</b>	340 x 420 x 175 } Bowls welded to frame 165 x 300 x 130 }
<b>Drainer Format:</b>	Reversible
<b>Cut-out Size:</b>	949 x 484 (cr=20)
<b>Colour:</b>	Microdekor
<b>Seal:</b>	Factory Fitted Polyurethane Seal
<b>Insulation:</b>	Grey Dynaphon for heat and sound
<b>Heat Resistance:</b>	Up to 300°C
<b>Earthing Point:</b>	Located at end of clip rail



**Waste:** 1 x Lira 45mm Waste Plug and Chain  
1 x Lira 90mm Basket Strainer Waste

**Overflow:**

**Accessories Available:**

- Food Preparation Platter** Mahogany
- Drainer Basket** Available in White, Almond and Brown
- Strainer Bowl** Available in White, Almond and Brown
- Drainer Basket** Stainless Steel
- Strainer Bowl** Stainless Steel

**Taps:** Any Franke tap can be utilised with this model\*.

\*Ceramic disc taps in certain installations or where there is a low head of water (below 4 metres) may not provide adequate flow rates. You are advised to check with your supplier.

Some taps may need bracing to avoid flexing of the sink ledge.

**Guarantee:** Franke sinks are guaranteed for 25 years against manufacturing defect. Franke taps are guaranteed against defective materials and workmanship for 1 year in relation to coatings and finishes, and 5 years in relation to moving parts. Franke will replace (and where appropriate repair) defective sinks. In relation to taps, Franke will where appropriate provide replacement parts for your taps or replace your taps. Any associated or ancillary costs to be incurred by you as a result of replacement of Franke sinks and taps under this guarantee shall in all cases be previously approved by Franke UK Limited. This guarantee is in addition to and does not affect your statutory rights.