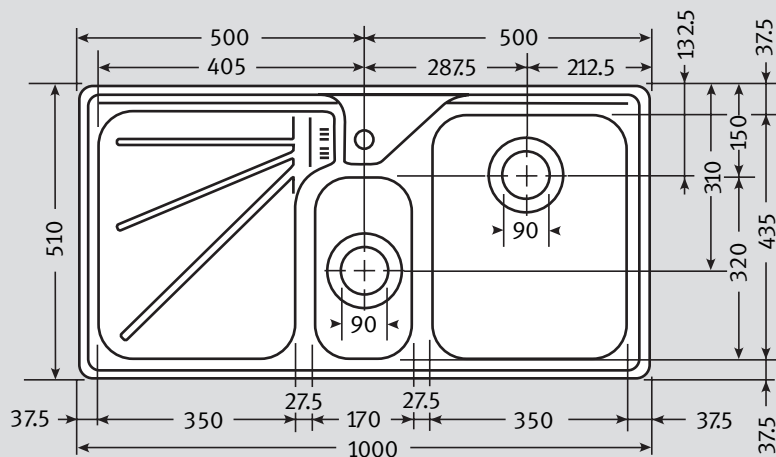


Ariane ART 654 Specifications

- **Unique Double-Edge profile and corner radii.** Sink lies completely flat on worktop and cloths will not snag on corners
- **2 x 90mm Wastes with Basket Strainer Wastes.** Capable of adaptation to take Waste Disposal Unit
- **4 colours of bespoke accessories available**
- **Recessed drainer**
- **Convenient horizontal overflow**
- **Large diagonal bowl dimension.** Extra large main and half bowl located at front rim of sink profile
- **Microdekor finish to match modern aluminium appliances**



Material:	Stainless Steel	Waste:	1 x Lira 90mm Basket Strainer Waste with overflow 1 x Lira 90mm Basket Strainer Waste	Overflow:	
Application:	Can be inset or undermount				
Bowl size:	350 x 435 x 180 } 170 x 320 x 135 } Bowls welded to frame				
Drainer Format:	Left or right hand drainer available				
Cut-out size:	984 x 494 (cr=20)				
Colour:	Microdekor	Accessories available:	 		
Seal:	Factory Fitted Polyurethane Seal	Strainer Bowl	Available in White, Almond, Brown or Black	Strainer Bowl	Stainless Steel
Insulation:	Grey Dynaphon for heat and sound	Drainer Tray	Available in White, Almond, Brown or Black	Drainer Tray	Stainless Steel
Heat Resistance:	Up to 300°C	Drainer Basket	Available in White, Almond, Brown or Black	Drainer Basket	Stainless Steel
Earthing Point:	Located at end of clip rail	Food Preparation Platter	Hygenia Board	Food Preparation Platter	Iroko
Cabinet size:		Sink Profile: Double Edge		Fixing Clips: 'S' rail	
Suggested Plumbing Kit:	2 part				
		Taps:	Any Franke tap can be utilised with this model*.		
			*Ceramic disc taps in certain installations or where there is a low head of water (below 4 metres) may not provide adequate flow rates. You are advised to check with your supplier.		
			Some taps may need bracing to avoid flexing of the sink ledge.		

Guarantee: Franke sinks are guaranteed for 25 years against manufacturing defect. Franke taps are guaranteed against defective materials and workmanship for 1 year in relation to coatings and finishes, and 5 years in relation to moving parts. Franke will replace (and where appropriate repair) defective sinks. In relation to taps, Franke will where appropriate provide replacement parts for your taps or replace your taps. Any associated or ancillary costs to be incurred by you as a result of replacement of Franke sinks and taps under this guarantee shall in all cases be previously approved by Franke UK Limited. This guarantee is in addition to and does not affect your statutory rights.